

## T28PN

- 6 User accounts & 6 Line Keys
- 320 x 160 pixels graphical LCD
- 13 programmable keys with LED indication
- Busy Lamp Field (BLF) Shared Bridged Appearance (BLA)
- Expansion Module Support
- Headset port
- Handsfree
- Dual 10/100 ethernet ports



T28PN is an executive IP phone designed for true versatility and optimum efficiency in the dynamic office environment. Unrivalled HD voice quality, innovative functional richness and friendly user interface combine with contemporary design for a truly advanced professional handset.

# T28PN

## Network Features

SIP v1(RFC2543), v2(RFC3261)  
 NAT transverse: STUN mode  
 IP Assignment: Static/DHCP/PPPoE  
 In-Band DTMF, Out-of-Band DTMF, SIP Info  
 Proxy mode and Peer-to-peer SIP link mode  
 TFTP/DHCP/PPPoE client  
 Telnet/HTTP server  
 DNS client  
 NAT/DHCP server  
 Supports VLAN, QoS  
 PoE  
 VPN

## Voice Features

Wideband Codec: G.722, voice spectrum between 50-7000Hz  
 Narrowband Codecs: G.711, G.726, G.723.1/iLBC, G.729AB and GSM  
 VAD, CNG, AEC, PLC, AEB, AGC  
 Full-duplex hands-free speakerphone  
 -compliant with IEEE 1329  
 support Hearing Aid Compatible (HAC)

## Security

Secure RTP  
 Digest authentication using MD5/MD5-sess  
 Secure configuration file via AES encryption

## Phone Features

Call Hold, Call Waiting,  
 Call Transfer, Call Forward  
 300 name/number phonebook  
 Caller ID, Call List, DND, Redial, Flash  
 3-way Conference, Speed Dial  
 Personal Ring Tone, Voicemail  
 Volume Adjustment, Mute,  
 Speakerphone  
 Logo Customisation, Black List,  
 Phone Lock  
 Admin/User Configuration Mode  
 Contact List Export/Import  
 System Log Export/Import  
 Hotline, Signal Tone Settable  
 Multi-language  
 LDAP

## IP PBX System Integration

SMS, BLF/BLA, Paging, Intercom  
 Downloadable enterprise phonebook  
 Call Park, Call Pickup,  
 Distinctive Ringtone  
 Auto-answer, Dial Plan, Dial-now

## Config, Upgrade and Usage

Firmware Upgrade: TFTP/Console/  
 Auto-provision  
 Auto-provision: TR069, HTTPS, HTTP, FTP,  
 TFTP, PnP  
 Direct IP call without SIP proxy  
 Dial number via SIP server  
 Dial URL via SIP server

## Physical Features

TI Titan Chipset  
 LCD: White backlit 320x160  
 4-level grayscales  
 16 DSS Keys, 4 soft keys  
 Network Interface: 2xRJ45 10/100M ports  
 Headset port: RJ9  
 Expansion Module Port  
 Speaker: 8 Ohm/1 Watt  
 Dimension: 310 x 290 x 110 mm  
 Weight: 1.6 kg  
 Optional power adapter: Input: AC 100~240V  
 Output: DC 5V/1A  
 Operating humidity: 10~95%  
 Storage temperature: up to 60 C

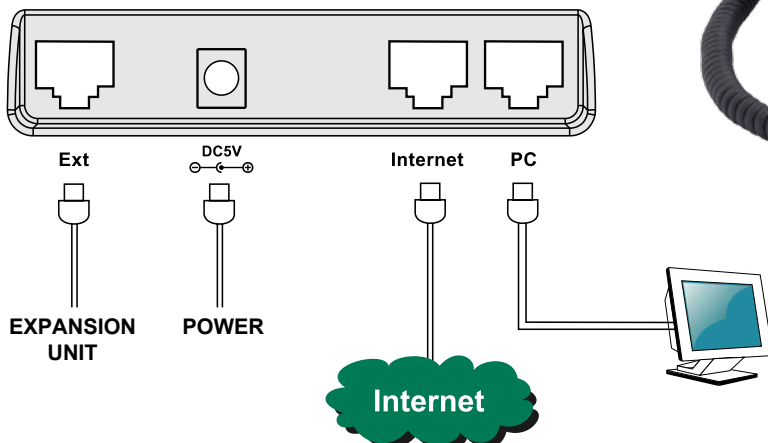
## Certifications



WEEE Compliant



ROHS Compliant



**Yealink**  
 EASY VoIP