

# ZOOM ROOMS CONSOLE

for iPad 10.2-inch 7th Generation



## Secure iPad Console for Video Conferencing Control

Designed in collaboration with the Zoom team specifically to control Zoom Rooms, this striking hardware enables you to use iPad - the best device for Zoom Rooms control - without compromise. Sleek looks, commercial-grade construction, beautiful finish, theft resistance, and optional PoE power with MFi-Certified Gigabit Ethernet networking combine to produce an object you'd be proud to place between your CEO and your biggest client.

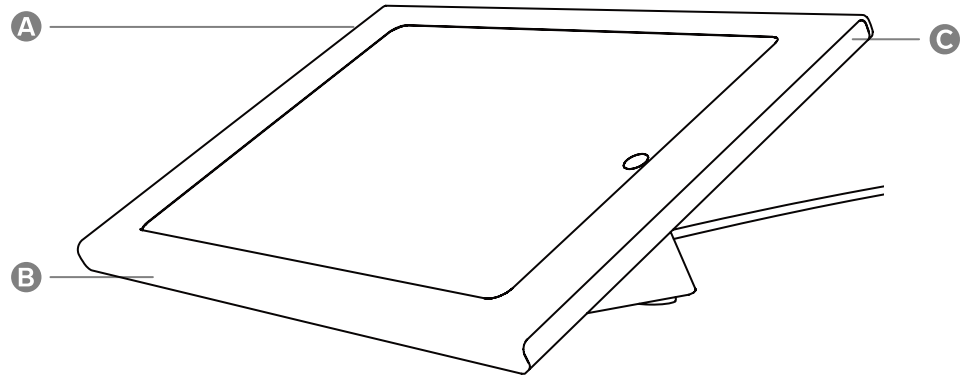
# ZOOM ROOMS CONSOLE

H601

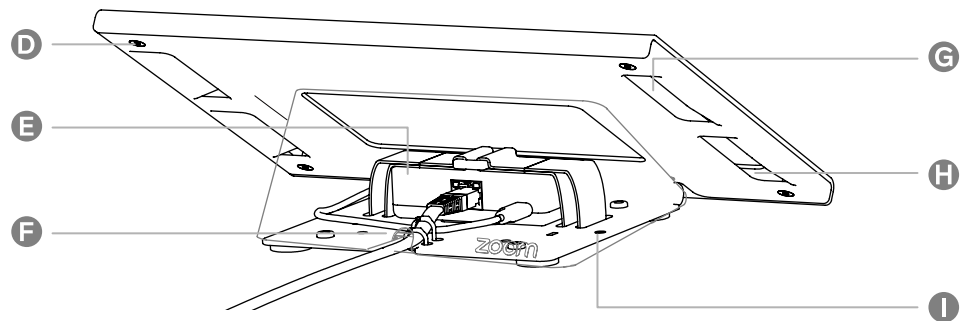
for iPad 10.2-inch 7th Generation

## Features

- A Fingerprint-resistant powdercoat finish
- B Heavy steel construction
- C Fully enclosed, with no front-facing assembly hardware



- D Temper-resistant assembly hardware
- E Optional Integrated Ethernet + PoE Adapter
- F Strain relief secures cable and console
- G Restricted access to sleep/wake button
- H Audio ports enable Zoom Rooms Direct Share contact sharing
- I Tamper-resistant rear compartment

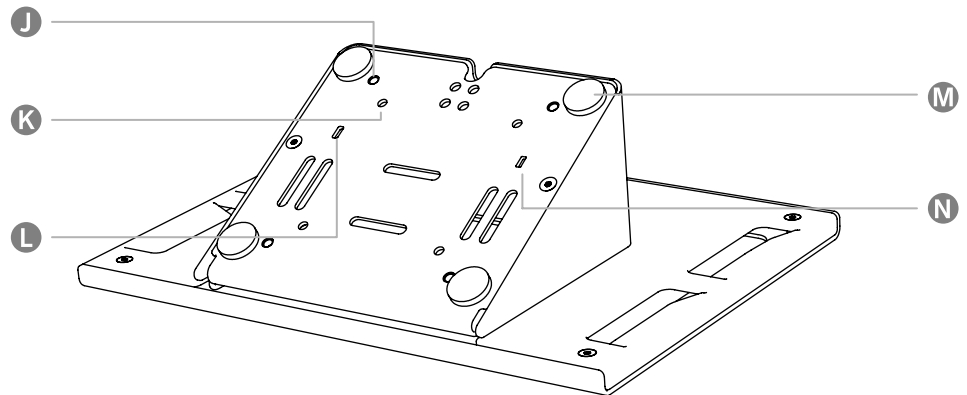


# ZOOM ROOMS CONSOLE

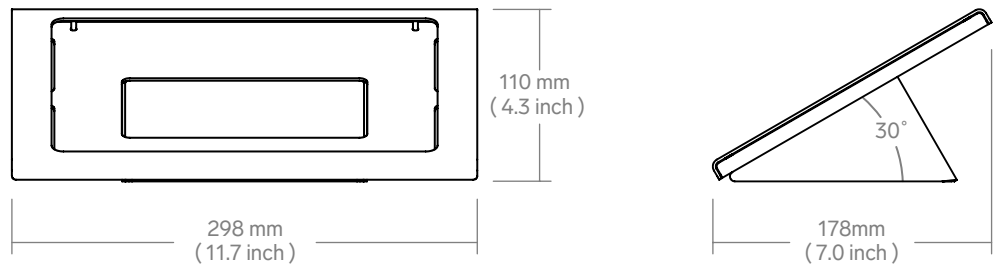
H601

for iPad 10.2-inch 7th Generation

- ⓐ Threaded VESA 100 mounting hole pattern
- ⓑ VESA 75 mounting hole pattern
- ⓒ Kensington Security Slot
- ⓓ Durable, no-scratch sliding feet
- ⓔ Kensington Nano Security Slot



## Dimensions



# ZOOM ROOMS CONSOLE

H601

for iPad 10.2-inch 7th Generation

---

## Specifications

<b>Price</b>	\$199
<b>SKU</b>	H601
<b>Height</b>	4.3 inches
<b>Width</b>	11.7 inches
<b>Depth</b>	7.0 inches
<b>Weight</b>	3.5 lbs
<b>Viewing Angle</b>	30 degrees
<b>Warranty</b>	2 years

---

## Colors

<b>Name</b>	<b>SKU</b>
Black Grey	H601-BG
Grey White	H601-GW

---

## Compatible Devices

iPad 10.2-inch 7th Generation

---

## In the Box

Zoom Rooms Console  
VESA mounting hardware  
Cord anchor  
Assembly tool

---

## Accessories

T267 - Gigabit + PoE Adapter for iPad  
T245 - Right-Angle Lightning Cable  
F560 - Kensington ClickSafe® 2.0 Cable Lock  
F714 - NanoSaver™ Keyed Cable Lock